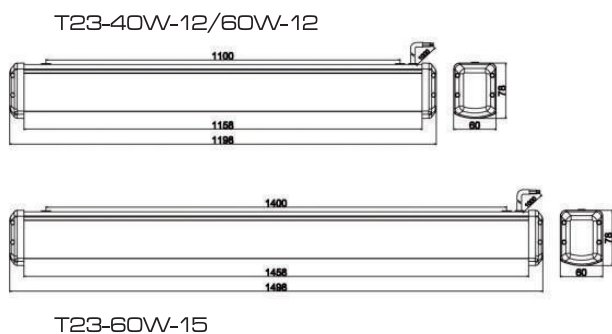
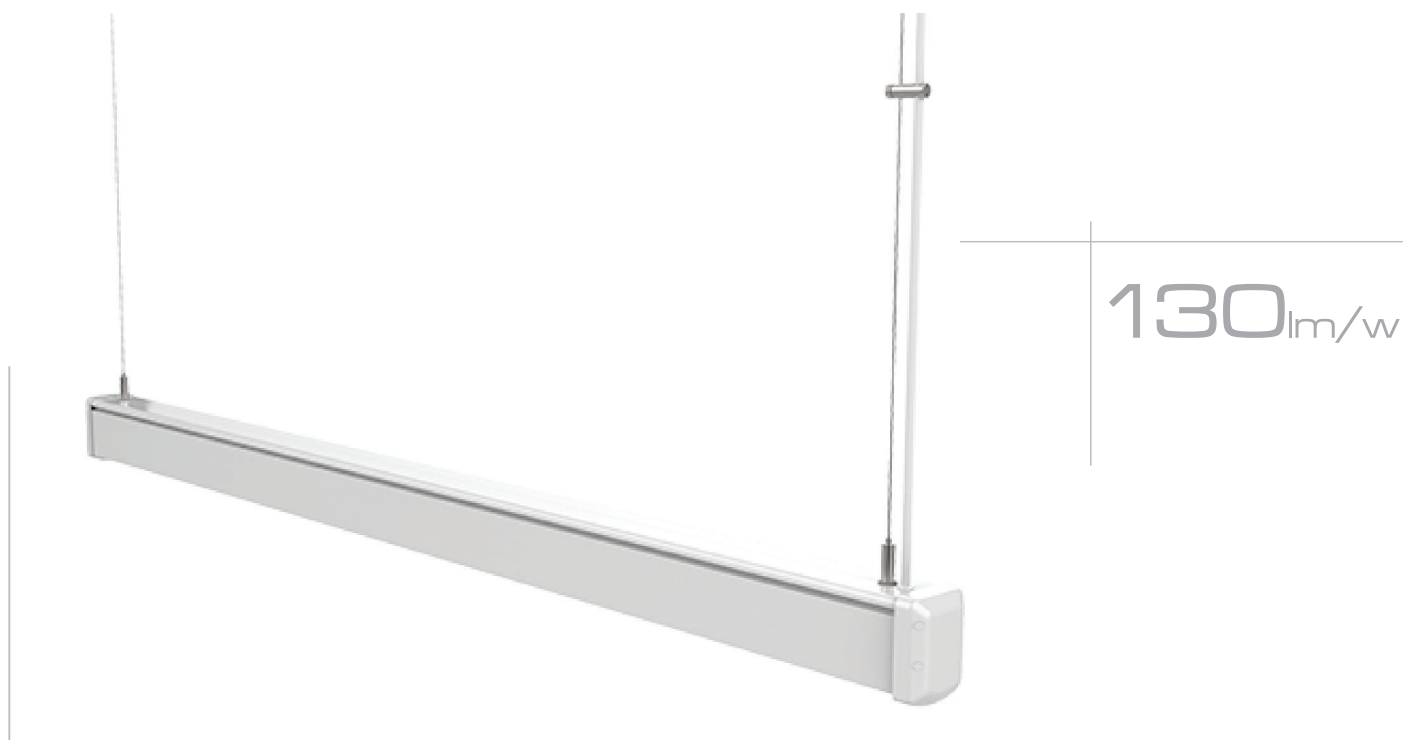


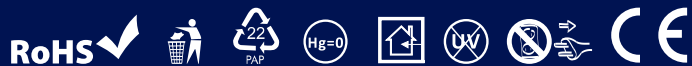
# LINEAR LIGHT SERIES T23



## Exploded Drawing

- 1) Stainless steel hanging ropes with cable holder to nicely guide the power cable upwards to the ceiling
- 2) Robust and durable aluminum housing with slightly extended side walls to reduce glaring
- 3) Aluminum PCB with a high thermal conductivity rating for up to 336 pcs of 0.5W SMD2835 LED chips
- 4) Recessed frosted PC cover with a high transparency rating
- 5) Internal isolated power driver available with 1-10V dimming function and DALI
- 6) Reinforced PC end-caps with silicone plugs to skillfully hide the screw holes

Model	Moc	Lm	Barwa	Kąt Świecenia	V	A/mA	Sprawność	CRI	IP	Diody	Szybkość	Trwałość	ON/OFF	Temp. Pracy
<b>T23-40/12</b>	40W	5000	4000K 5700K	100°	100-277V AC	1000	0,9	>80	65	2835 (240pcs)	95%<1s	50000	≥50000	-30/+50
<b>T23-60/12</b>	60W	7200	4000K 5700K	100°		1000	0,9	>80	65	2835 (240pcs)	95%<1s	50000	≥50000	-30/+50
<b>T23-60/15</b>	60W	7500	4000K 5700K	100°		1000	0,9	>80	65	2835 (336pcs)	95%<1s	50000	≥50000	-30/+50



NEW  
GENERATION  
LED

Technology and  
innovation

www.isrlight.com

## LINEAR LIGHT SERIES



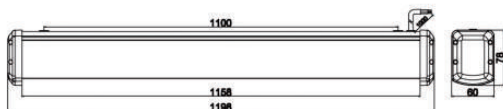
130lm/w

### Exploded Drawing

- 1)Stainless steel hanging ropes with cable holder to nicely guide the power cable upwards to the ceiling
- 2)Robust and durable aluminum housing with slightly extended side walls to reduce glaring
- 3)Aluminum PCB with a high thermal conductivity rating for up to 336 pcs of 0.5W SMD2835 LED chips
- 4)Recessed frosted PC cover with a high transparency rating
- 5)Internal isolated power driver available with 1-10V dimming function and DALI
- 6)Reinforced PC end-caps with silicone plugs to skillfully hide the screw holes



T23-40W-12/60W-12



Model	T23-40/12
UGR	19
Lm	5000
Moc	40W
V	100-277V AC
A	1000 mA
Sprawność	>0,9
Barwa	4000K
CRI	> 80
Kąt Świecenia	100°
IP	65
Rozmiar	120x30x18
Szybkość	95%<1s
Trwałość	50000 L70B50
ON/OFF	≥50000
Temp. Pracy	-30/+50
Wilgotność otoczenia	20-80%
Klasa ochronności	II
Sposób montażu	Natynkowy
Waga	2kg
Zasilacz	Wbudowany wewnątrz obudowy

