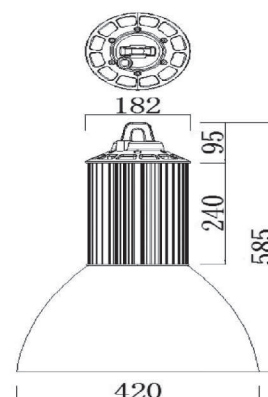
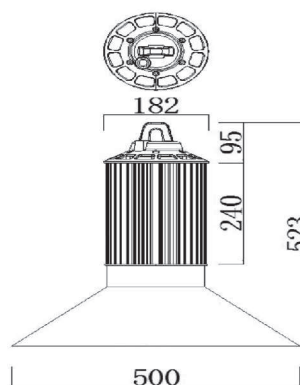
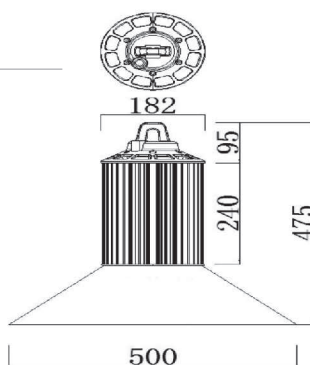
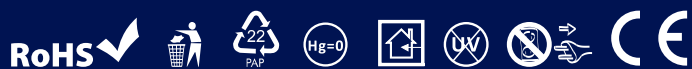


HIGHBAY GEN 2



Model	Moc	Lm	Barwa	Kąt Świecenia	V	A/mA	Sprawność	CRI	IP	Diody	Szybkość	Trwałość	ON/OFF	Temp. Pracy
HB-U-G/2-80	80W	9200	4000K 6500K	30°/60°/90°/120°	190-260V AC	1000	0,992	>80	65	Philips 3030LED	95%<1s	50000	≥50000	-30/+50
HB-U-G/2-100	100W	11500	4000K 6500K	30°/60°/90°/120°		1000	0,992	>80	65	Philips 3030LED	95%<1s	50000	≥50000	-30/+50
HB-U-G/2-135	135W	15525	4000K 6500K	30°/60°/90°/120°		1000	0,992	>80	65	Philips 3030LED	95%<1s	50000	≥50000	-30/+50
HB-U-G/2-165	165W	18975	4000K 6500K	30°/60°/90°/120°		1000	0,992	>80	65	Philips 3030LED	95%<1s	50000	≥50000	-30/+50
HB-U-G/2-200	200W	23000	4000K 6500K	30°/60°/90°/120°		1000	0,992	>80	65	Philips 3030LED	95%<1s	50000	≥50000	-30/+50



NEW
GENERATION
LED

Technology and
innovation

www.isrlight.com