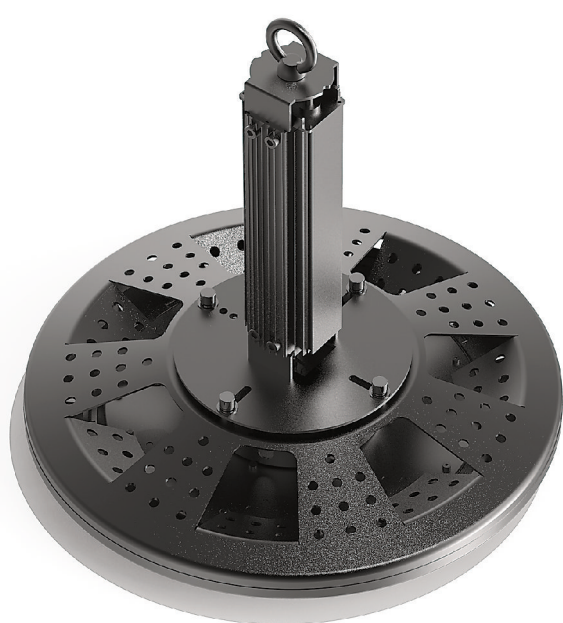


HIGHBAY GEN 8



150lm/w

140lm/w

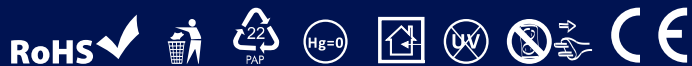


Model	Moc	Lm	Barwa	Kąt Świecenia	V	A/ma	Sprawność	CRI	IP	Diody	Szybkość	Trwałość	ON/OFF	Temp. Pracy
HBU-G8-100	100W	15000	4000K 6500K	60°/90°/120°	100-277V AC	1000	0,9	>80	65	Philips	95%<1s	50000	≥50000	-40/+70
HBU-G8-150	150W	22500	4000K 6500K	60°/90°/120°		1000	0,9	>80	65	Philips	95%<1s	50000	≥50000	-40/+70
HBU-G8-200	200W	30000	4000K 6500K	60°/90°/120°		1000	0,9	>80	65	Philips	95%<1s	50000	≥50000	-40/+70

HIGH TEMPERATURE

-40/+70

Temp.+70 Temp.+50



NEW
GENERATION
LED

Technology and
innovation

www.isrlight.com

HIGHBAY GEN 8

STYLISH DESIGN



150lm/w
140lm/w



Temp.+70 Temp.+50

