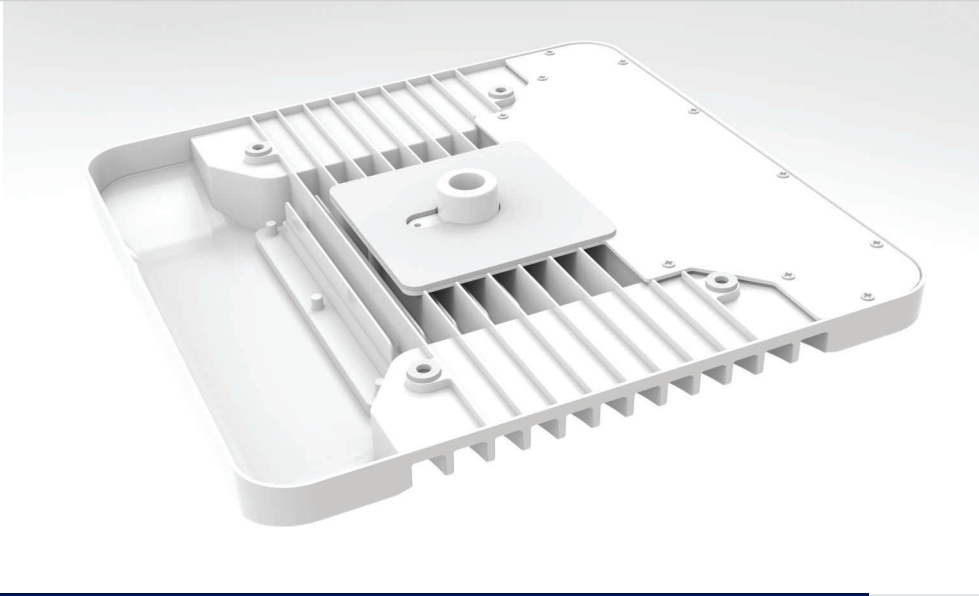
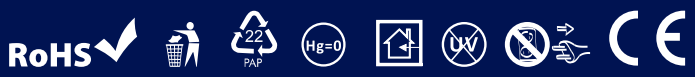


HIGHBAY CONOPLY LIGHT



Technology and innovation



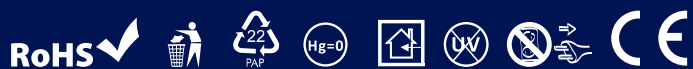
NEW GENERATION LED

Technology and innovation

www.isrlight.com

75-100W Technical Parameters:

Product Name	75W LED Canopy light	100W LED Canopy light
Part No	HD-CP01-075W	HD-CP01-100W
LED Type	PHILIPS 3030(2D 1.5W)/SAMSUNG 283B	
LED QTY	112PCS	112PCS
System Efficacy	120±5% LM/W	120±5% LM/W
Luminous Flux	9000±5% LM	12000±5% LM
CCT	2700K,3000K, 4000K, 5000K, 5700K, 6500K	
Beam Angle	110°	
CRI	>80Ra	
System Efficiency	>90%	
PowerSupply	MeanWell/MOONS	
Input Voltage	AC100-277V/AC120-277V/AC200-480V	
Power Frequency	50/60Hz	
Output Voltage	DC28.8-48V	
Output Current	0.75A(Constant Current)	1.0A(Constant Current)
Power Efficiency	≥90%	
Power Factor	≥0.9	
Total Harmonic Distortion	<15%	
System Power consumption	75±5 W	100±5 W
Led Power consumption	69±5 W	92±5 W
Application	Outdoor	
Certificates	ETL cETL DLC CE ROHS	ETL cETL DLC CE ROHS
Fixture Material	ADC12 Aluminum alloy	
Ingress Protection	IP65	
Operating Temperature	-30 ~ 50 °C	
Life span	>50000Hrs(Ta=30 °C @LM70)	
Operating Humidity	15-90%RH	
Storage Temperature	-40 ~ 70 °C	
Storage Humidity	10%-95%	
Luminaire Net Weight	4.7±0.2KG	4.7±0.2KG
Export Carton Size	432*408*108mm	
Luminaire Gross weight	5.7±0.2KG	5.7±0.2KG



130-150W Technical Parameters:

Product Name	130W LED Canopy light	150W LED Canopy light
Part No	HD-CP01-130W	HD-CP01-150W
LED Type	PHILIPS 3030(2D 1.5W)/SAMSUNG 283B	
LED QTY	140PCS	168PCS
System Efficacy	120±5% LM/W	120±5% LM/W
Luminous Flux	15600±5% LM	18000±5% LM
CCT	2700K,3000K, 4000K, 5000K, 5700K, 6500K	
Beam Angle	110°	
CRI	>80Ra	
System Efficiency	>90%	
PowerSupply	MeanWell/MOONS	
Input Voltage	AC100-277V/AC120-277V/AC200-480V	
Power Frequency	50/60Hz	
Output Voltage	DC28.8-48V	
Output Current	1.3A(Constant Currrent)	1.5A(Constant Currrent)
Power Efficiency	≥90%	
Power Factor	≥0.9	
Total Harmonic Distortion	< 15%	
System Power consumption	130±5 W	150±5 W
Led Power consumption	119±5 W	138±5 W
Application	Outdoor	
Certificates	ETL cETL DLC CE ROHS	ETL cETL DLC CE ROHS
Fixture Material	ADC12 Aluminum alloy	
Ingress Protection	IP65	
Operating Temperature	-30 ~ 50 C	
Life span	>50000Hrs(Ta=30 C @LM70)	
Operating Humidity	15-90%RH	
Storage Temperature	-40 ~ 70 C	
Storage Humidity	10%-95%	
Luminaire Net Weight	5.0±0.2KG	5.0±0.2KG
Export Carton Size	432*408*108mm	
Luminaire Gross weight	6.0±0.2KG	6.0±0.2KG

